



# 3-PC. SOCKET WELD END BALL VALVE

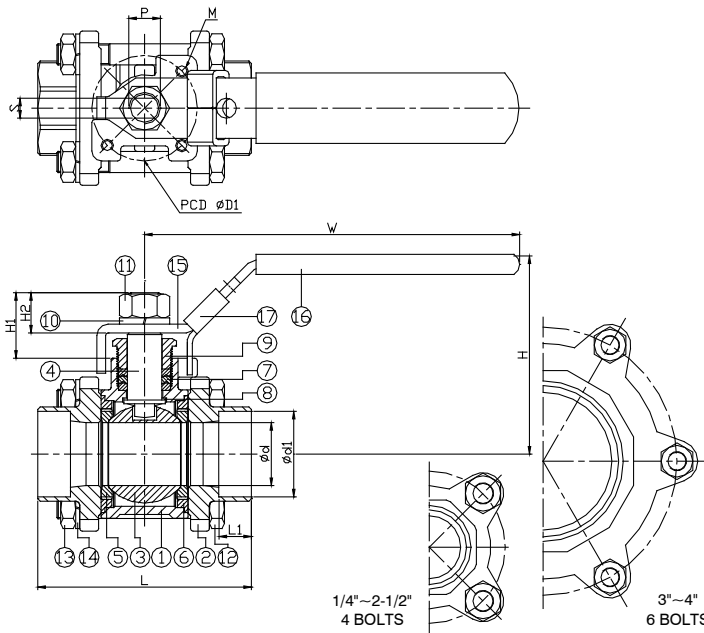
# 2011NM

## FEATURES



- Full port, 1/4"~4" (DN8~DN100)
- W.P. : 1000 WOG (PN63)
- W.T. : -20°C~200°C (-4°F~392°F)
- Investment casting
- Blow-out proof stem
- Locking device
- ISO 5211 Mounting pad
- TA-Luft approved (option)
- Length conform to DIN 3202/4-M3-2011NM-M3 (option)

- Socket weld ends conform to ANSI B16.11 & DIN 3239 part2



ITEM	PARTS	MATERIAL		
1	BODY	ASTM A351-CF8M	ASTM A216-WCB	
2	CAP			
3	BALL	ASTM A351-CF8M		
4	STEM	ASTM A276-316		
5	SEAT	PTFE / RTFE		
6	SEAL	PTFE		
7	PACKING			
8	THRUST WASHER	AISI 304		
9	GLAND NUT			
10	SPRING WASHER			
11	STEM NUT			
12	BOLT			
13	NUT			
14	SPRING WASHER			
15	HANDLE			STAINLESS STEEL
16	HANDLE SLEEVE			PVC
17	LOCKING DEVICE			STAINLESS STEEL

DN	d	d1	L	L1	H	H1	H2	W	S	D1	M	P	ISO 5211	Torque (N·M)	Weight (kg)
8	11.6	14.5	65	10	57.3	19.3	13.5	103.5	5	36	M5	3/8"-24UNF	F03	7.5	0.4
10	12.5	18	65	10	57.3	19.3	13.5	103.5	5	36	M5	3/8"-24UNF	F03	7.5	0.4
15	15	22	65	10	61.4	19.4	13.5	103.5	5	36	M5	3/8"-24UNF	F03	7.5	0.5
20	20	27.5	75	13	64.6	23.4	16	121	6.5	36	M5	7/16"-20UNF	F03	7.5	0.7
25	25	34	85	13	80.1	25.6	16.2	147	8	42	M5	7/16"-20UNF	F04	12.5	1.1
32	32	43	101	13	85.1	25.6	16.2	147	8	42	M5	7/16"-20UNF	F04	15	1.7
40	38	49	112	13	103.6	29.7	20	188	10	50	M6	1/2"-20UNF	F05	20	2.4
50	50	61	130	16	110.8	29.7	20	188	10	50	M6	1/2"-20UNF	F05	25	3.6
65	63	74	162	16	137.2	39.4	27.5	250	12	70	M8	3/4"-10UNC	F07	64	6.7
80	76	90	188	16	145.9	39.4	27.5	250	12	70	M8	3/4"-10UNC	F07	85	9.8
100	96	115.5	224	20	181.7	53.7	39.8	318	16	102	M10	1"-8UNC	F10	95	19.2

unit:mm

NPS	d	d1	L	L1	H	H1	H2	W	S	D1	M	P	ISO 5211	Torque (in·lb)	Weight (lb)
1/4"	0.46	0.57	2.56	0.39	2.26	0.76	0.53	4.07	0.2	1.42	M5	3/8"-24UNF	F03	66.4	0.8
3/8"	0.49	0.71	2.56	0.39	2.26	0.76	0.53	4.07	0.2	1.42	M5	3/8"-24UNF	F03	66.4	0.8
1/2"	0.59	0.87	2.56	0.39	2.42	0.76	0.53	4.07	0.2	1.42	M5	3/8"-24UNF	F03	66.4	1.2
3/4"	0.79	1.08	2.95	0.51	2.54	0.92	0.63	4.76	0.26	1.42	M5	7/16"-20UNF	F03	66.4	1.6
1"	0.98	1.34	3.35	0.51	3.15	1.01	0.64	5.79	0.31	1.65	M5	7/16"-20UNF	F04	110.6	2.3
1-1/4"	1.26	1.69	3.98	0.51	3.35	1.01	0.64	5.79	0.31	1.65	M5	7/16"-20UNF	F04	132.8	3.6
1-1/2"	1.5	1.93	4.41	0.51	4.08	1.17	0.79	7.4	0.39	1.97	M6	1/2"-20UNF	F05	177	5.3
2"	1.97	2.4	5.12	0.63	4.36	1.17	0.79	7.4	0.39	1.97	M6	1/2"-20UNF	F05	221.3	7.9
2-1/2"	2.48	2.91	6.38	0.63	5.4	1.55	1.08	9.84	0.47	2.76	M8	3/4"-10UNC	F07	566.4	14.8
3"	2.99	3.54	7.4	0.63	5.74	1.55	1.08	9.84	0.47	2.76	M8	3/4"-10UNC	F07	752.3	21.6
4"	3.78	4.55	8.82	0.79	7.15	2.11	1.57	12.52	0.63	4.02	M10	1"-8UNC	F10	840.8	42.3

unit:in