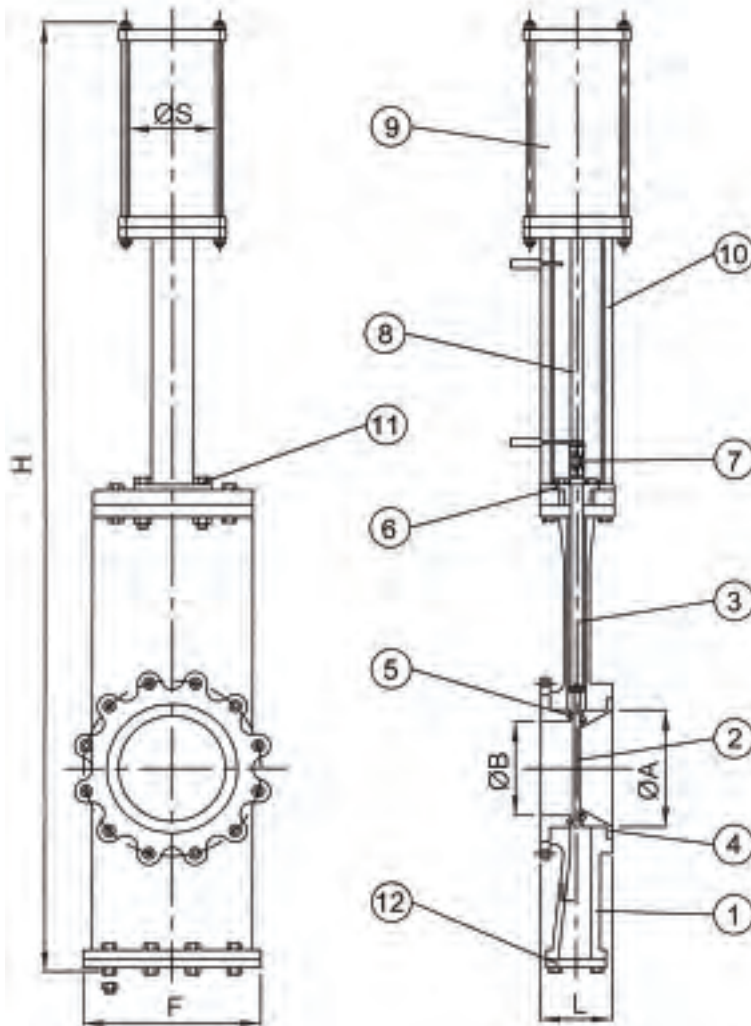


## PNEUMATIC TYPE STAINLESS STEEL KNIFE GATE VALVE

### 2092-08

CONNECTION RATING:  
 JIS 5K JIS 10K JIS7.5K  
 ANSI 150#  
 DIN PN10 PN16



MSS-SP81 TEST STANDARD:  
 BODY TEST: 11kg/cm<sup>2</sup> (WATER)  
 SEAT TEST: 2.8kg/cm<sup>2</sup> (WATER)  
 LEAKAGE: 4 cc/per in.min.

|     |             |             |
|-----|-------------|-------------|
| 12  | COVER       | CF8         |
| 11  | BLOT NUT    | SUS304      |
| 10  | YOKE        | FCD / WCB   |
| 9   | ACTUATOR    | AL ALLOY.FC |
| 8   | STEM        | SS41+HCr    |
| 7   | CONNECTER   | SUS304      |
| 6   | GLAND       | CF8         |
| 5   | SEAT        | PTFE        |
| 4   | GUIDE PLATE | CF8         |
| 3   | STEM        | SUS304      |
| 2   | PLATE       | SUS304      |
| 1   | BODY        | CF8         |
| NO. | SUBJECT     | MATERIAL    |

**DIMENSION TABLE : MM**

| SIZE   | H    | ØA  | ØB  | F   | L   | ØS  |
|--------|------|-----|-----|-----|-----|-----|
| 2"     | 940  | 50  | 50  | 152 | 120 | 83  |
| 2-1/2" | 990  | 65  | 65  | 180 | 120 | 83  |
| 3"     | 1050 | 80  | 90  | 190 | 120 | 80  |
| 4"     | 1200 | 116 | 116 | 230 | 120 | 80  |
| 5"     | 1350 | 145 | 145 | 255 | 120 | 125 |
| 6"     | 1500 | 170 | 170 | 280 | 120 | 125 |
| 8"     | 1700 | 221 | 221 | 345 | 150 | 150 |
| 10"    | 1900 | 276 | 276 | 400 | 150 | 180 |
| 12"    | 2200 | 325 | 325 | 480 | 150 | 200 |

[ FOR REFERENCE ONLY. ]

[ FOR REFERENCE ONLY. ]

**MATERIAL:**

|          | BODY  | PLATE              | SEAT         | GLAND PACKING |
|----------|-------|--------------------|--------------|---------------|
| MATERIAL | SCS13 | SUS304             | TEFLON       | TEFLON        |
|          | SCS14 | SUS316             | METAL        | NON ASBESTOS  |
|          | AL    | SUS304L<br>SUS316L | VITON<br>NBR |               |

**TEMPERATURE:**

| MATERIAL     | TEM. RANGE   |
|--------------|--------------|
| SILICON      | -20° ~ 150°C |
| VITON        | -20° ~ 250°C |
| TEFLON       | -30° ~ 150°C |
| NON ASBESTOS | -50° ~ 550°C |