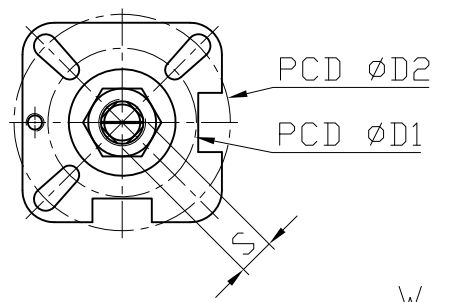
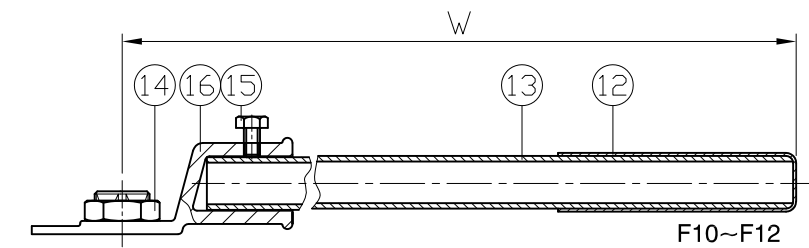


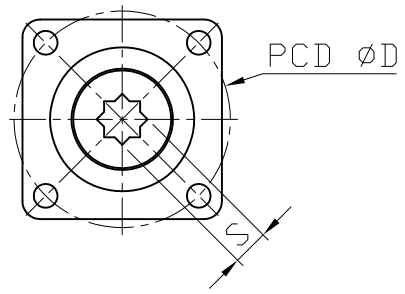
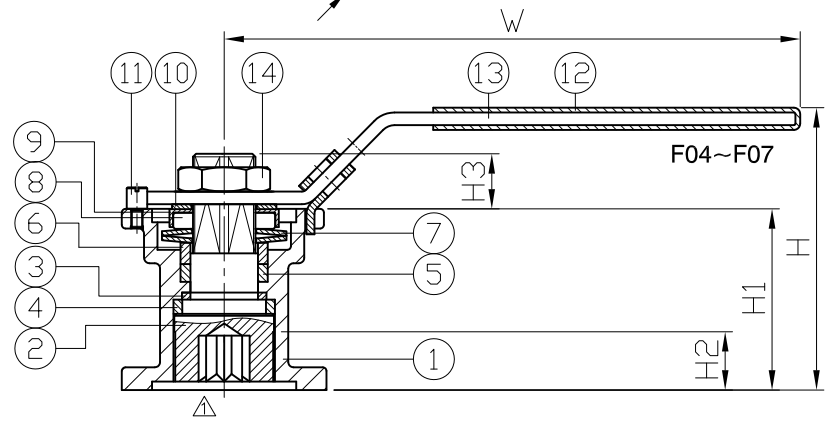
Ra
0.2
1.6
6.3
25
±0.1
±0.2
±0.3
±0.5
±0.8
0.5~5
6~30
31~120
121~320
321~1000
GENERAL TOLERANCE

HAITIMA CORPORATION
P.O.BOX 34-36 TAIPEI
Tel:886-2-26585800
E-mail: haitima@ms8.hinet.net
www.haitima.com.tw
TAIWAN R.O.C.
Fax:886-2-26582266



MODEL	D	D1	D2	H	H1	H2	H3	W	S
SE-F04	42	36	42	133	100	13	9	123	9
SE-F05	50	42	50	133	100	13	11	152	11
SE-F07	70	50	70	134	100	17	14	182	14
SE-F10	102	70	102	142	100	22.5	17	345	17
SE-F12	125	102	125	153	100	30	22	393	22
SE-F12	125	102	125	154	100	32	27	757	27

unit:mm



ITEM	PARTS	MATERIAL	
		1	BODY
2	STEM	AISI 304	
3	TRHURT WASHER A	PTFE	
4	TRHURT WASHER B	EK	
5	PACKING	PTFE	
6	GLAND RING	AISI 304	
7	BELLEVILLE WASHER	AISI 301	
8	NUT	AISI 304	
9	LOCK WASHER		
10	FLAT WASHER		
11	STOP PIN	PVC	
12	HANDLE SLEEVE	STAINLESS STEEL	
13	HANDLE HANDLE TUBE	AISI 304	
14	STEM NUT		
15	HANDLE HEAD	ASTM A351-CF8	
16	BOLT	AISI 304	



CHECK BY	DRAWING BY	DATE	SPECIFICATION	Type A-Stem Extension
	Ray	Jan.10.2018	MATERIAL	CF8M/CF8
			PROCESS/Nr.	
			UNIT / SCALE	mm

△			
△			
△	Revise bottom design.	01/10/2018	Ray
Revise	Description	Date	Approve
DRAWING NO.			
TYPE A-STEM EXTENSION-00 - HDE			